

Easy-Trunk® and Porta-Trunk® Fume Collectors

Compact and portable fume collectors effectively filter smoke, dust, and fumes resulting from welding and grinding applications.



Easy-Trunk Collector

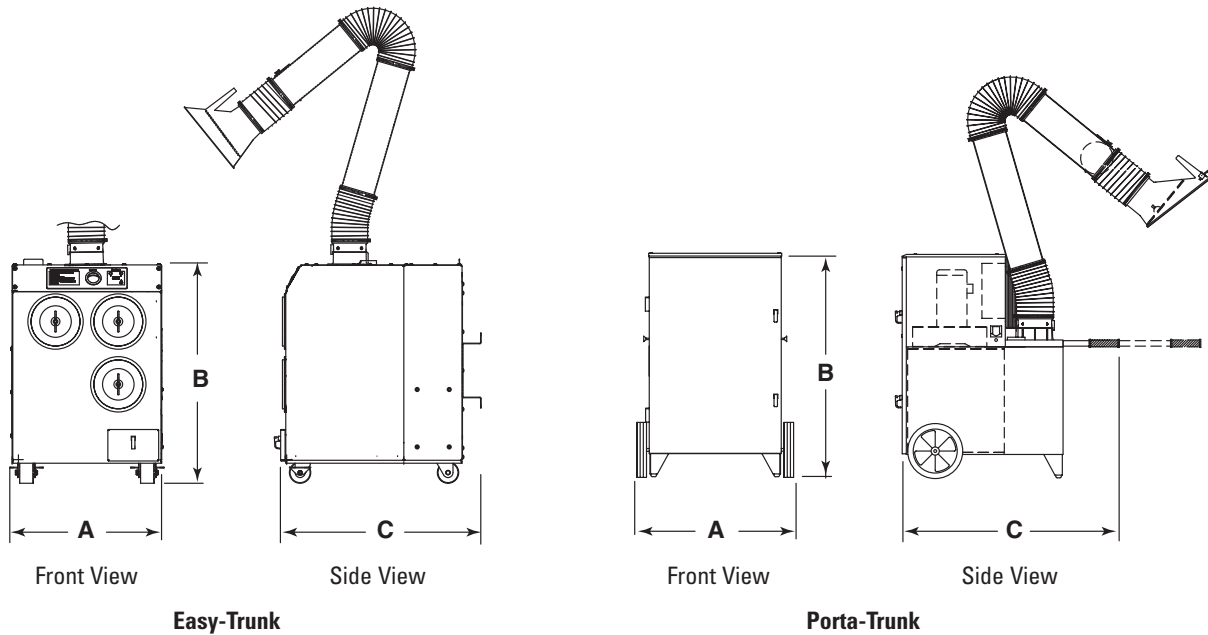
- For heavier duty or more frequent plant operations.
- Built-in pulse filter cleaning system.
- Push buttons conveniently located on front of unit and on fume hood.
- Ultra-Web® nanofiber filters provide high MERV* 13 filtration efficiency.
- “Plug and go” operation.
- Fits easily through standard doorway.

Porta-Trunk Collector

- For light duty or infrequent plant operations.
- Static (non-pulsed) filter system.
- Operating controls conveniently located on fume hood
- Ultra-Web® nanofiber filters provide high MERV* 13 filtration efficiency.
- “Plug and go” operation.
- Fits easily through standard doorway.

Easy-Trunk and Porta-Trunk Collectors

Dimensions & Specifications



Model	Nominal Airflow** (cfm)	Motor (hp)	Dimensions (inches)			Shipping Weight (lbs)	Sound Level dB(A)†
			A	B	C		
Easy-Trunk	750	1.5	28.0	40.9	38.6	400	70
Porta-Trunk	780	1.5	27.5	40.3	35.4	340	75

Standard Features

- Ultra-Web® FR filter cartridges
- 1.5 hp TEFC motor
- 115/60/1 voltage
- Extraction arm: 6 in. x 6.5 ft.
- Hood-mounted light with switch
- Fully assembled and wired
- 10-year warranty

Equipment Options

- Extraction arm: 6 in. x 10 ft.

* The **Minimum Efficiency Reporting Value (MERV)** of this filter cartridge has been determined through independent laboratory testing using ASHRAE 52.2 (1999) test standards. The MERV rating was determined at a face velocity of 118 feet per minute and loading up to four inches water gauge. Actual efficiency of any filter cartridge will vary according to the specific application parameters. Dust concentration, airflow, particle characteristics, and pulse cleaning methods all affect filtration efficiency.

** Based on clean filters.

† Sound level per ANSI S12.34.1988. The actual measured sound level will vary, depending on background noise and room conditions.



Donaldson Company, Inc.
Industrial Air Filtration
P.O. Box 1299
Minneapolis, MN 55440
Tel 800-365-1331(USA)
Tel 800-343-3639 (within Mexico)
dustmktg@mail.donaldson.com
www.donaldson.com

Significantly improve the performance of your collector with genuine Donaldson Torit replacement filters and parts.

Visit us at www.donaldsondynamic.com

Information in this document is subject to change without notice.
U.S. Patent 4,860,644

© 1998 Donaldson Co., Inc.
Printed in U.S.A. on recycled paper
Data Sheet EZ-PT (01/07)

